



WATERMIL plastic filters



WATERMIL Disc filters



Product information

- Designed for water filtration while irrigating arable fields, green areas, also used for industrial applications
- Micron level accuracy
- High efficiency and large filtration capacity
- Degree of filtration – 130 microns (120 mesh)
- Easy to clean
- 3 types of filters to suit different applications
- Unique disc technology

Our offer includes three types of WATERMIL disc filters, which are adapted to various applications. The advantage of disc filters is their well-thought-out design, ensuring friendly use and easy cleaning.

Unique disc technology

What distinguishes WATERMIL disc filters is a unique technology based on thin polypropylene discs that ensure accuracy at the micron level. How does it work? The discs are grooved diagonally on both sides and in opposite directions. A series of discs are stacked on top of each other and squeezed against a specially designed filter core. The grooves of any two adjacent discs with opposite directions compressed together form a plurality of intersecting small spaces that form a series of unique filter channels for trapping contaminants. In the filtration process, the spring force combined with the differential pressure presses the discs tightly together, and the multiple points of intersection provide excellent in-depth filtration.



WATERMIL Y-type disc filter

Thanks to the excellent technology of the discs, the WATERMIL Y-type disc filter ensures accuracy at the micron level, high efficiency and large filtration capacity. The well-thought-out design makes it easy to clean and to install in a small space.

The use

WATERMIL Y-type disc filter is used for filtering water in the irrigation of farmland and green areas with low flow of water. It efficiently filters out solid particles in the main line.

Features and benefits

- Compact design of filters allows them to be installed in a small space
- Precise filtration at the micron level
- Innovative design of depth separators retaining large amounts of solids
- Chemical resistance
- Easy to install and maintain
- Pre-prepared two pressure gauge connections



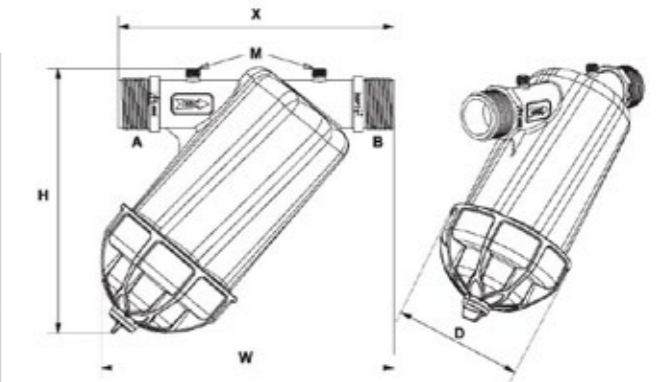
WATERMIL Y-type disc filter

Model and specification

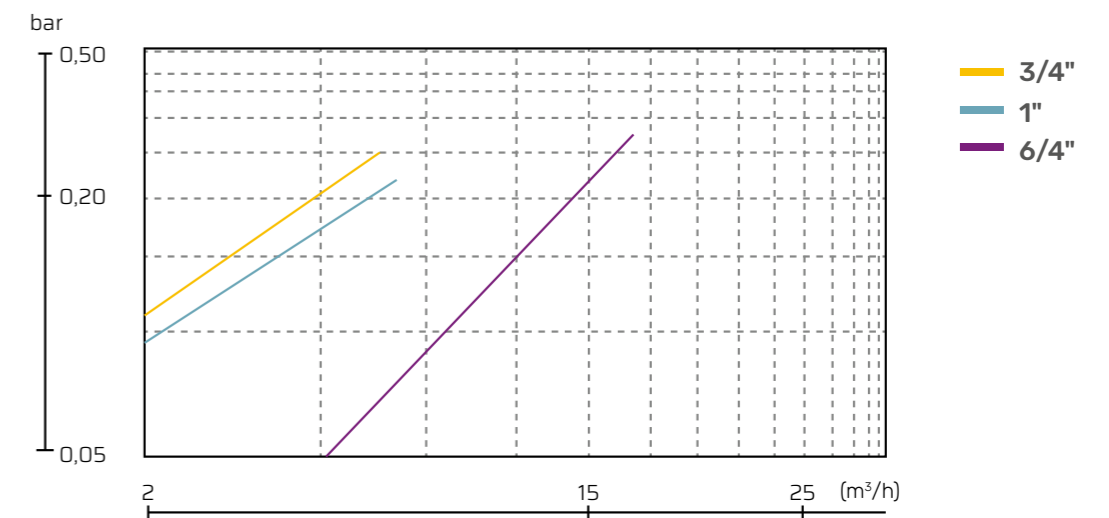
Model	Connections	Max. flow (m ³ /h)	Filtration area (cm ²)	Weight (kg)
ADF020YW	3/4"	5	195	0.39
ADF025YW	1"	6	195	0.39
ADF032YW	5/4"	10	300	0.96
ADF040YW	6/4"	14	300	0.96
ADF050YW	2"	25	600	3.00
ADF080YW	3"	35	600	5.95

Dimensions

Model	H (mm)	W (mm)	D (mm)
ADF020YW	173	186	83
ADF025YW	173	186	83
ADF030YW	230	250	120
ADF040YW	230	250	120
ADF050YW	260	290	140
ADF080YW	330	360	168



Pressure loss (130 microns/120 mesh)



Caution: Flow rate may vary for water of different quality.

WATERMIL T-type disc filter

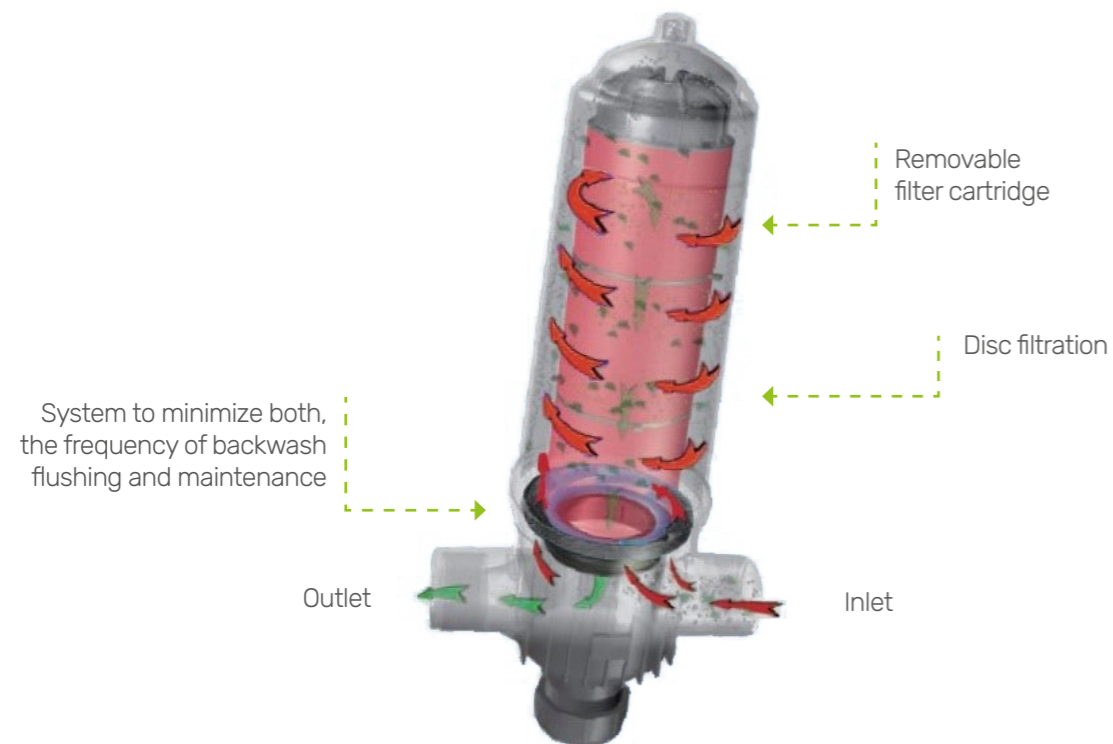
Thanks to the excellent technology of the discs, the WATERMIL T-type disc filter ensures accuracy at the micron level, high efficiency and large filtration capacity. The well-thought-out design makes it easy to clean. This type of filter is recommended for medium flow rate filtration.

The use

WATERMIL T-type disc filter is used for filtering water in the irrigation of farmland and green areas with low flow of water. It efficiently filters out solid particles in the main line.

Features and benefits

- Large volume design for medium flow filtration
- Precise filtration at the micron level
- Innovative design of depth separators retaining large amounts of solids
- Applied technology creates centrifugal water flow to increase the filtration efficiency
- Chemical resistance
- Easy to install and maintain



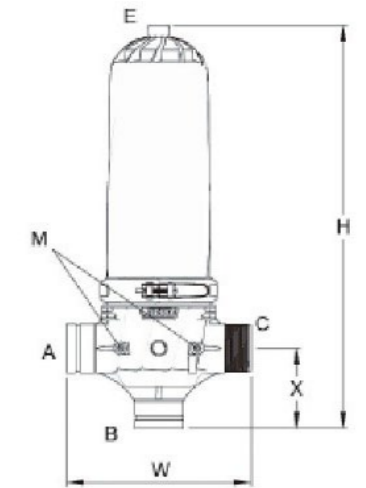
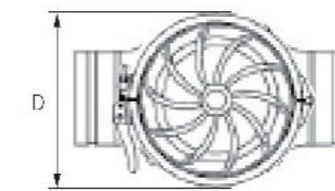
WATERMIL T-type disc filter

Model and specification

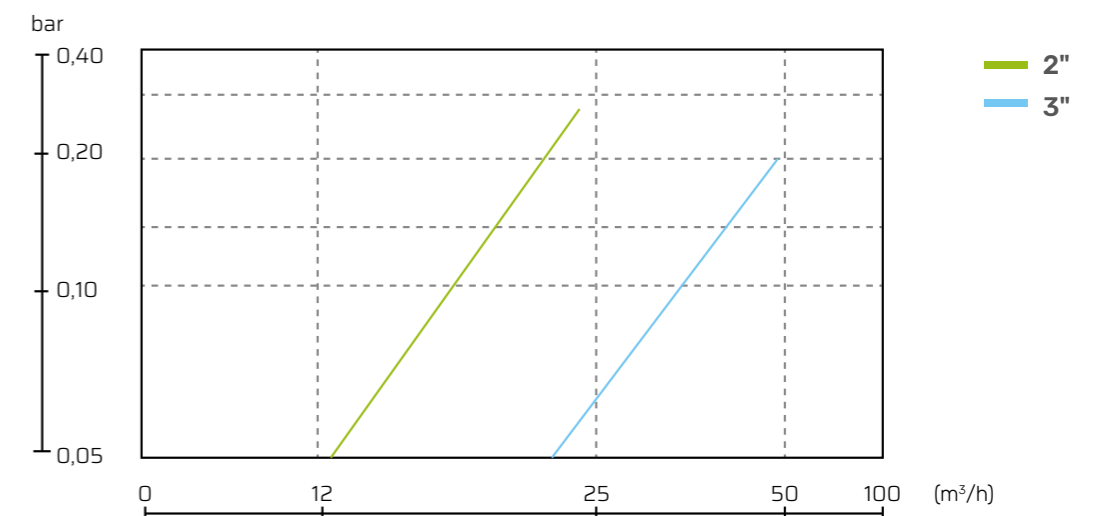
Model	Connections	Max. flow (m ³ /h)	Filtration area (cm ²)	Weight (kg)
ADF050TW	2"	30	1200	6.29
ADF080TW	3"	50	1700	8.54

Dimensions

Model	H (mm)	W (mm)	X (mm)	D (mm)
ADF050TW	620	320	140	220
ADF080TW	740	340	153	220



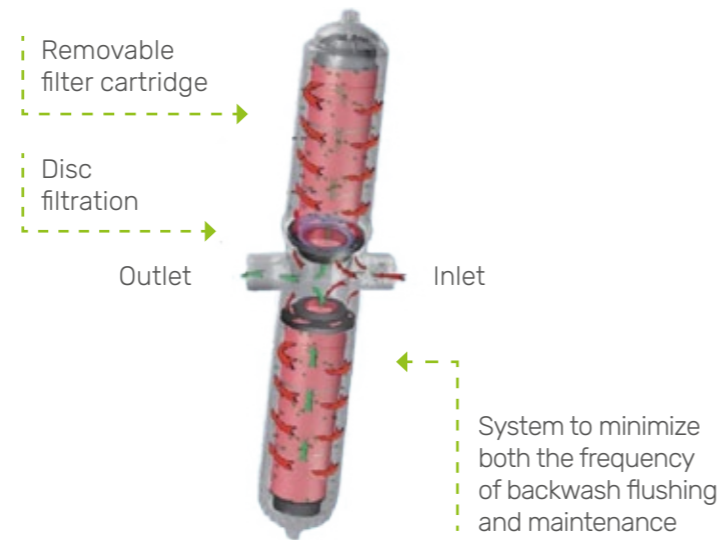
Pressure loss (130 microns/120 mesh)



Caution: Flow rate may vary for water of different quality.

WATERMIL H-type disc filter

WATERMIL H-type disc filter ensures accuracy at the micron level, high efficiency and high filtration capacity. A well-thought-out design makes it easy to clean. This type of filter is especially recommended for filtration at high flow rates.

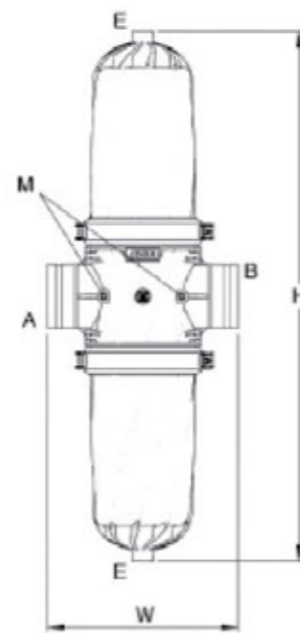


Model and specification

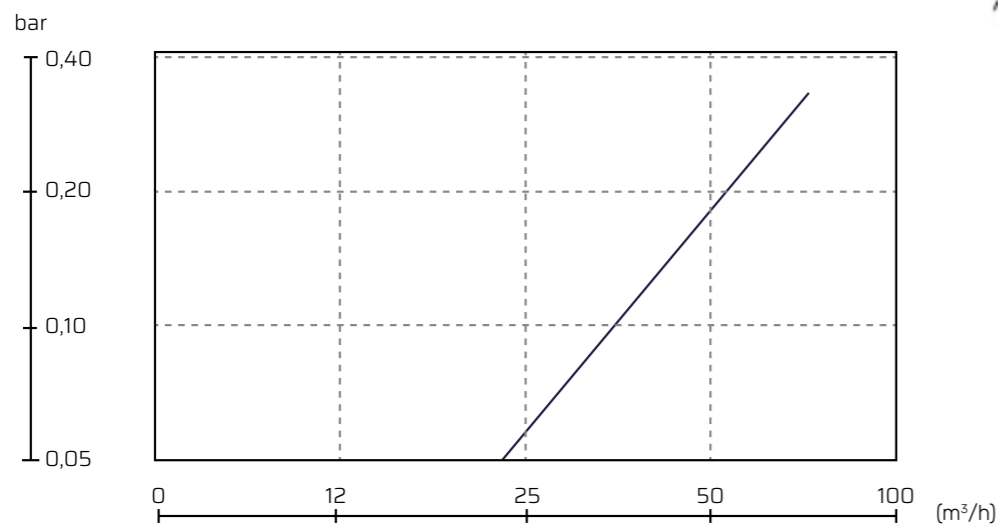
Model	Connections	Max. flow (m ³ /h)	Filtration area (cm ²)	Weight (kg)
ADF100HW	4"	70	2400	11.19

Dimensions

Model	H (mm)	W (mm)	X (mm)	D (mm)
ADF100HW	960	340	220	220



Pressure loss (130 microns/120 mesh)



Caution: Flow rate may vary for water of different quality.

WATERMIL Y-type screen filter

WATERMIL Y-type mesh filter, which is precisely woven from stainless steel wires, can be used as a micron filter sieve, characterized by high flexibility, resistance to corrosion, acids and alkalis. This filter has a degree of filtration of 130 microns (120 mesh). The design has been thought out to ensure trouble-free disassembly and easy cleaning. The advantage of the WATERMIL Y-type screen is easy installation, especially when available space is limited.



The use

The WATERMIL Y-screen is used for filtering water in the irrigation of farmland and green areas, with a small scale and low flow. It efficiently filters out solid particles in the main line.

Features and benefits

- Compact design ensures easy installation in small spaces
- Precise filtration at the micron level
- Durable stainless steel filter sieve, resistant to corrosion, acids and alkalis
- Easy cleaning and maintenance
- Various sizes and types of connections available
- Low cost and excellent performance
- Pre-prepared two pressure gauge connections



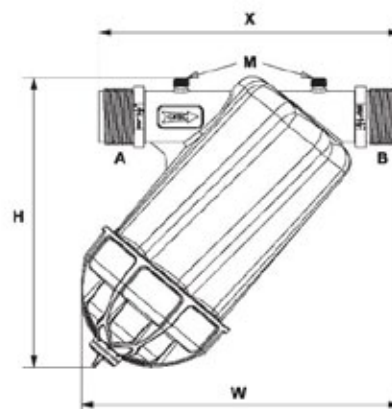
WATERMIL Y-type screen filter

Model and specification

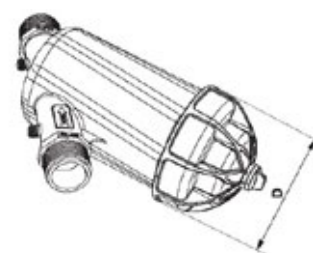
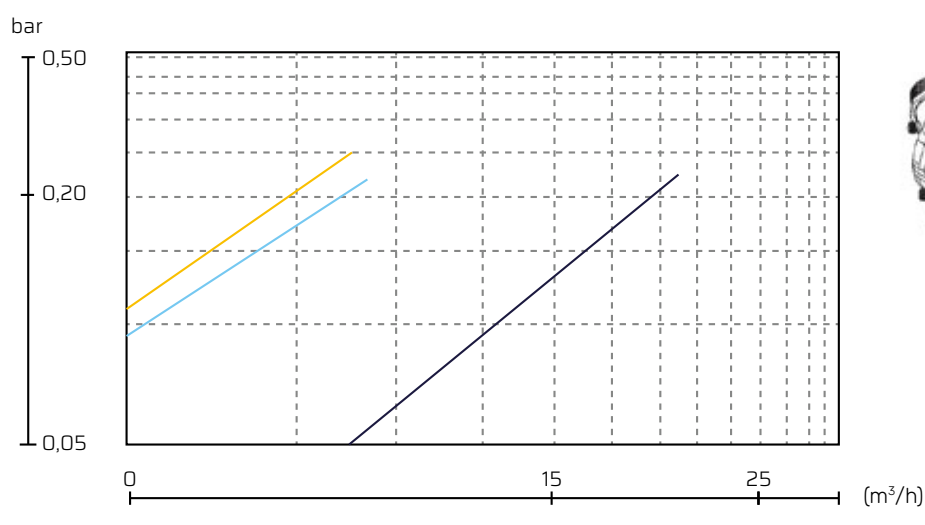
Model	Connections	Max. flow (m ³ /h)	Filtration area (cm ²)	Weight (kg)
ADF020YW	3/4"	5	195	0.39
ADF025YW	1"	6	195	0.39
ADF032YW	5/4"	10	300	0.96
ADF040YW	6/4"	14	300	0.96
ADF050YW	2"	25	600	3.00
ADF080YW	3"	35	600	5.95

Dimensions

Model	H (mm)	W (mm)	D (mm)
ADF020YW	173	186	83
ADF025YW	173	186	83
ADF030YW	230	250	120
ADF040YW	230	250	120
ADF050YW	260	290	140
ADF080YW	330	360	168



Pressure loss (130 microns/120 mesh)



— 3/4"
— 1"
— 6/4"

Caution: Flow rate may vary for water of different quality.



MILEX Professional Irrigation Systems

09-522 Dobrzyków, ul. Obrońców Dobrzykowa 3
tel.: +48 24 277 52 22, fax: +48 24 277 54 27
e-mail: milex@milex.pl, www.milex.pl

