



WATERMIL metal filters

WATERMIL AUTOMATIC SCREEN FILTERS

Product information

- Application: agriculture, industry, municipal applications, water management, cooling towers
- The most effective method of filtration
- Reliability: efficient filtration at various flow rates
- Low pressure losses
- Self-cleaning system
- Uninterrupted filtration during self-cleaning
- Low cost

WATERMIL automatic strainers are an ideal solution for agricultural and municipal filtration due to their large filter surface, reliable operation mechanism and simple design. They operate on the principle of pressure difference and clean automatically without outside interference. In addition to hydraulically controlled models, WATERMIL offers also filters activated electrically.

Thanks to the suction nozzles cleaning is done with little water consumption. Apart from standard degree of filtration equalled 130 microns various other screen sizes are available for different levels of contamination.



Electric Activated Automatic Screen Filter

VE series



HE series



Hydraulic Activated Automatic Screen Filter

VH series

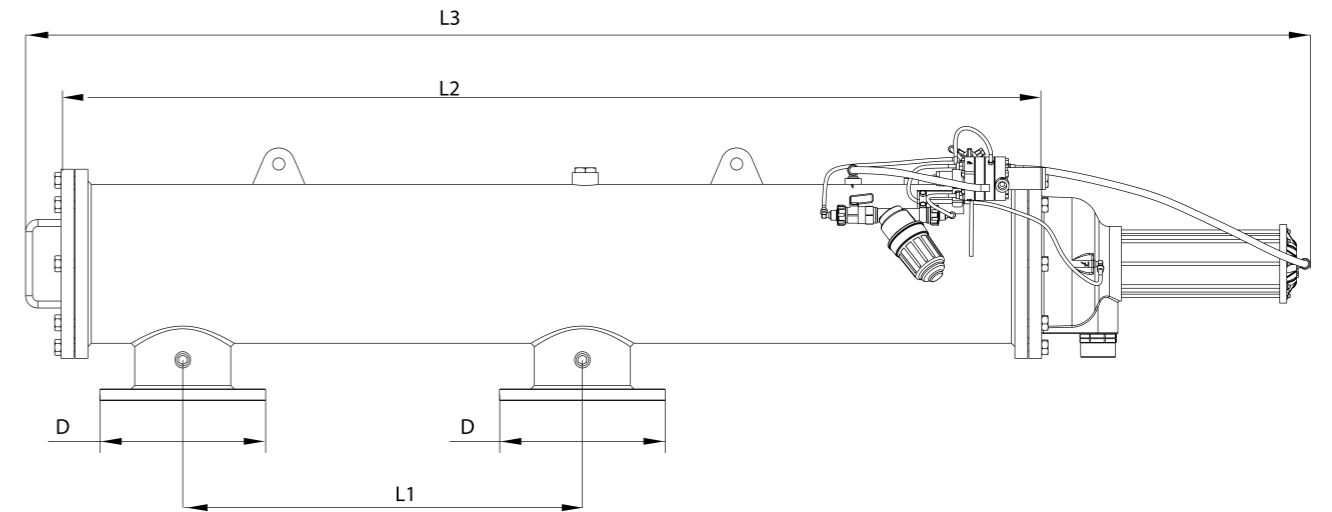


HH series

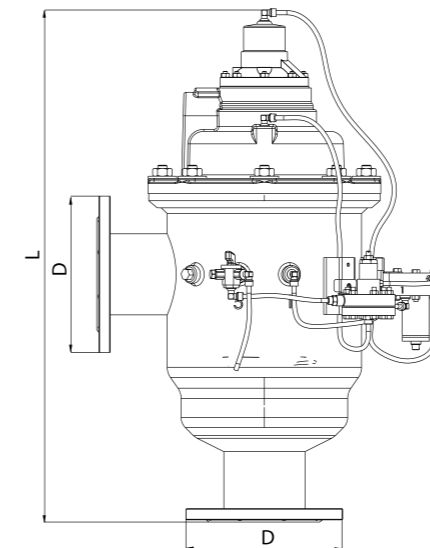


Dimensions

Model H



Model V



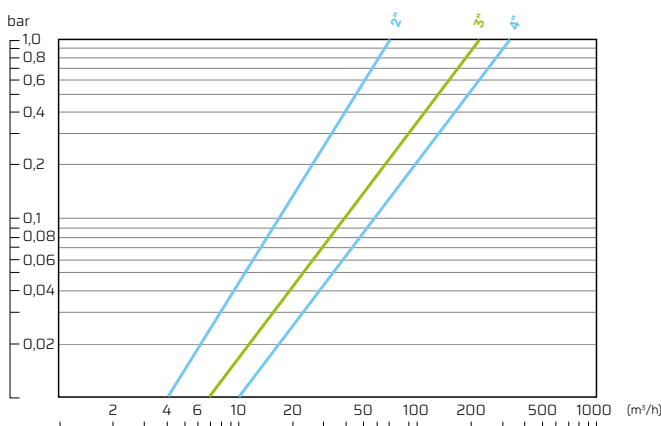
Dimensions

Dimensions	D	L	L1	L2	L3
	Inches	mm	mm	mm	mm
VH-VE-25	2"	630	-	-	-
VH-VE-35	3"	630	-	-	-
VH-VE-50	3"	760	-	-	-
VH-VE-70	4"	760	-	-	-
VH-VE-100	4"	875	-	-	-
HH-HE-100	4"	-	900	1907	2410
HH-HE-120	5"	-	900	1907	2410
HH-HE-160	6"	-	900	1907	2410
HH-HE-200	8"	-	900	1907	2410

Available models

Model filter code	VH-25	VH-35	VH-50	VH-70	VH-100	HH-100	HH-120	HH-160	HH-200
	VE-25	VE-35	VE-50	VE-70	VE-100	HE-100	HE-120	HE-160	HE-200
Max flow	25 m ³ /h	35 m ³ /h	50 m ³ /h	70 m ³ /h	100 m ³ /h	100 m ³ /h	120 m ³ /h	160 m ³ /h	200 m ³ /h
Inlet/outlet size	2"	3"	3"	4"	4"	4"	5"	6"	8"
Filtration degree standard	130 microns	130 microns	130 microns	130 microns	130 microns	130 microns	130 microns	130 microns	130 microns
Min. operating pressure	2.5 bars	2.5 bars	2.5 bars	2.5 bars	2.5 bars	2.5 bars	2.5 bars	2.5 bars	2.5 bars
Max. operating pressure	10 bars	10 bars	10 bars	10 bars	10 bars	10 bars	10 bars	10 bars	10 bars
Max. operating temperature	60°C	60°C	60°C	60°C	60°C	60°C	60°C	60°C	60°C
Min. flushing flow (at 2.5 bars - 35 psi)	15 m ³ /h	15 m ³ /h	20 m ³ /h	20 m ³ /h	22 m ³ /h	30 m ³ /h	30 m ³ /h	30 m ³ /h	30 m ³ /h
Time of flushing cycle	10-16 s	10-16 s	10-16 s	10-16 s	10-16 s	22-30 s	22-30 s	22-30 s	22-30 s
Filtration area	750 cm ²	750 cm ²	1500 cm ²	1500 cm ²	2250 cm ²	6800 cm ²	6800 cm ²	6800 cm ²	6800 cm ²

Pressure loss graph (VH-VE)



Pressure loss graph (HH-HE)

